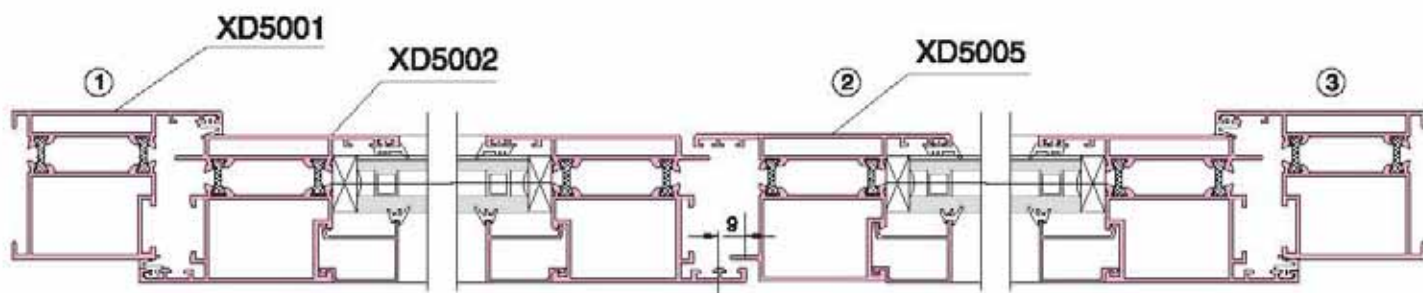
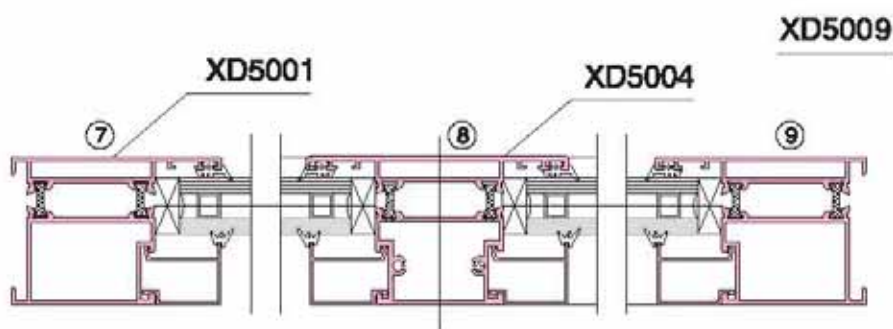
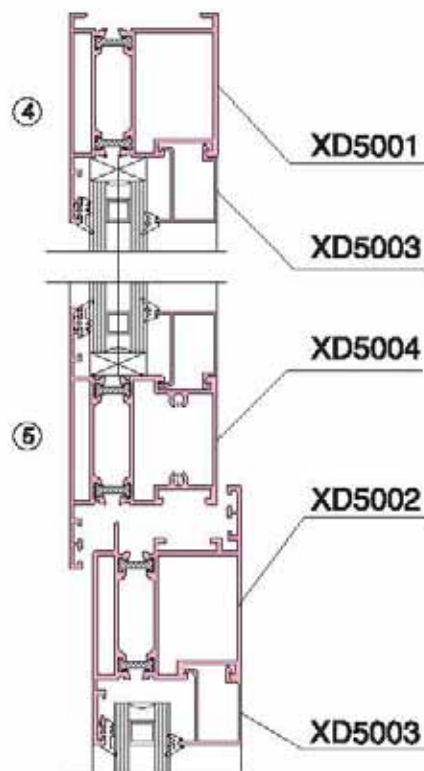
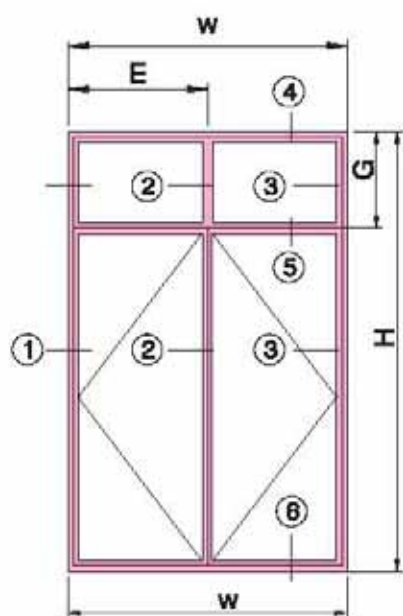


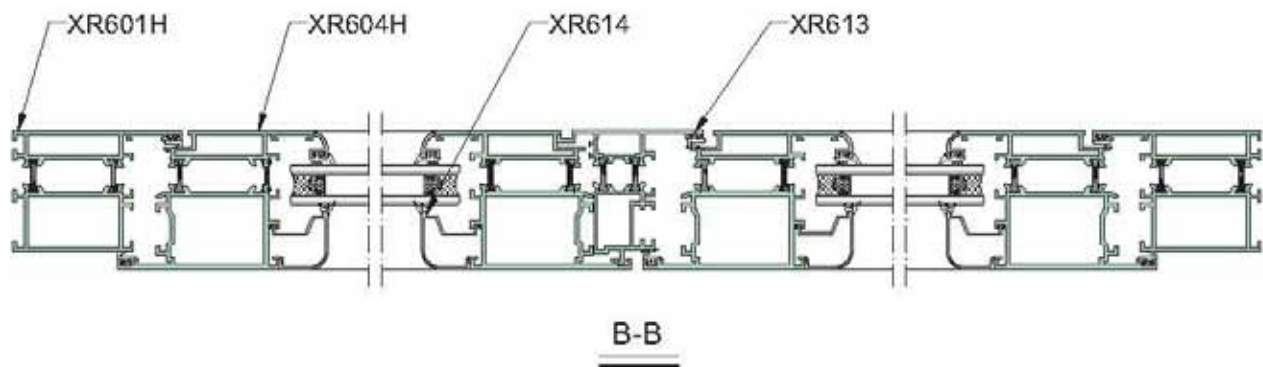
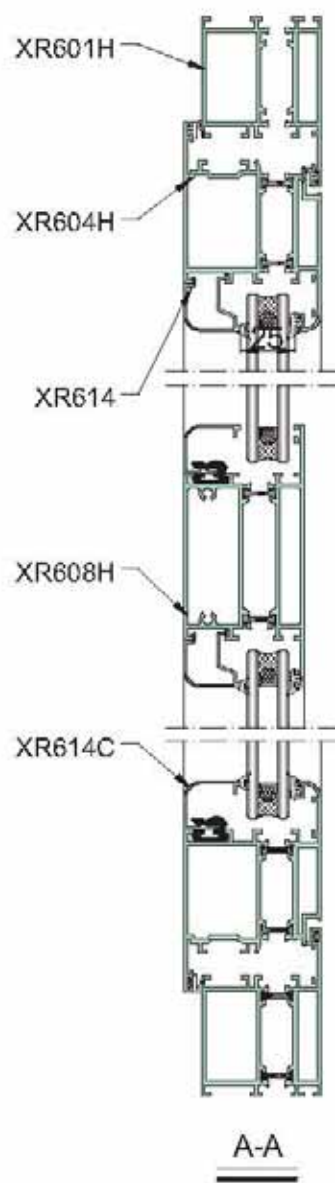
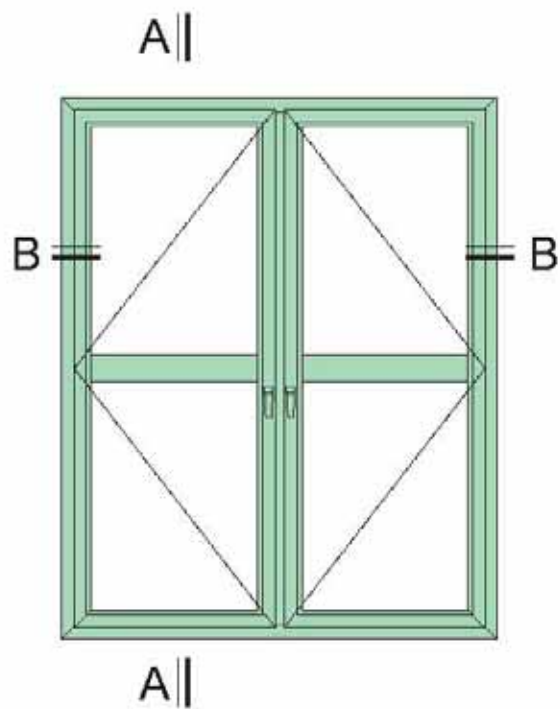
XD50系列隔热平开门装配图(壁厚1.4mm)

XD50 series thermal barrier hung door (wall thickness 1.4mm)



XR60 系列隔热平开门型材装配图

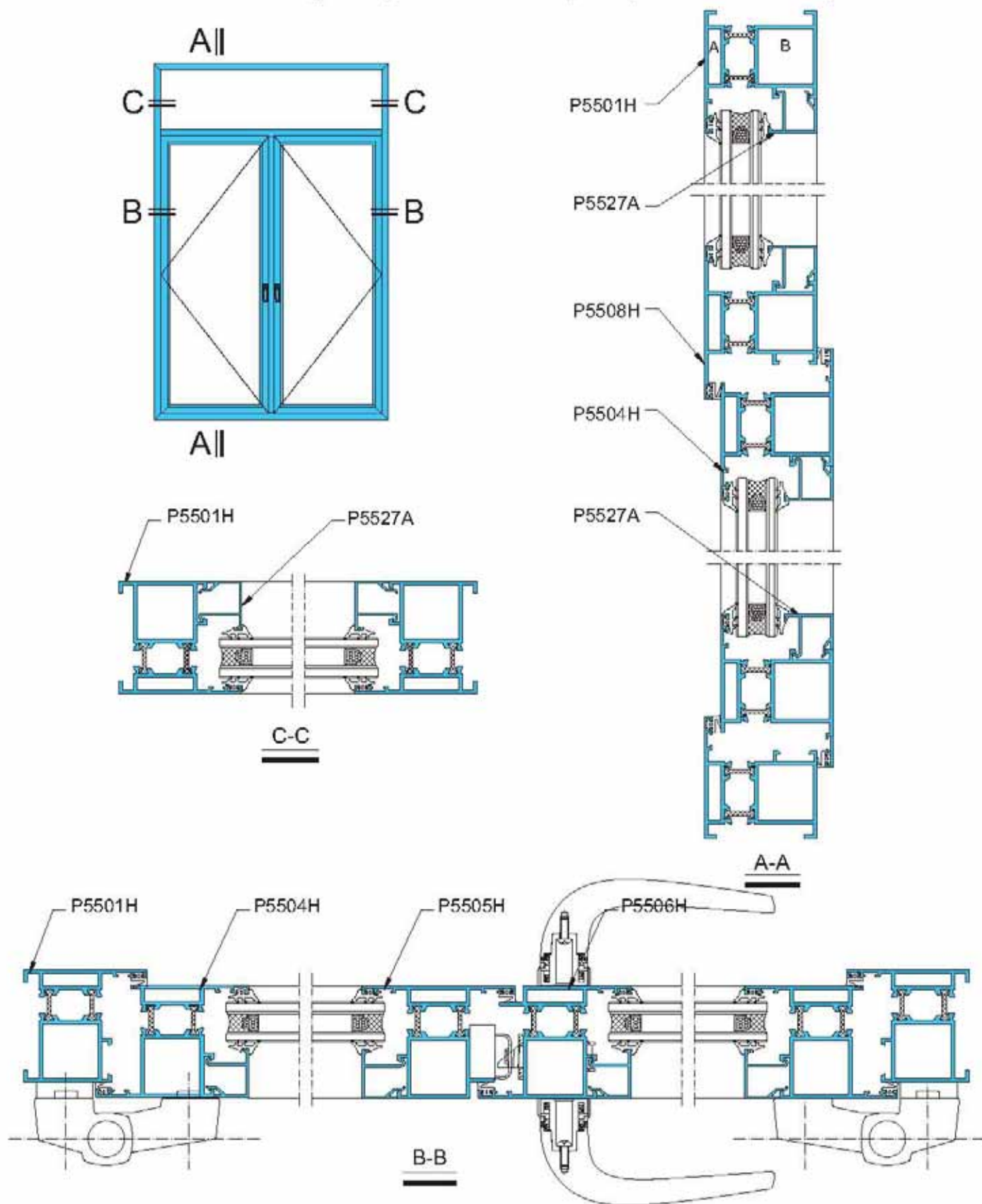
XR60 series thermal barrier hung door



专利产品，防冒必究

P55H系列隔热节能环保型平开门装配图(壁厚1.8mm)

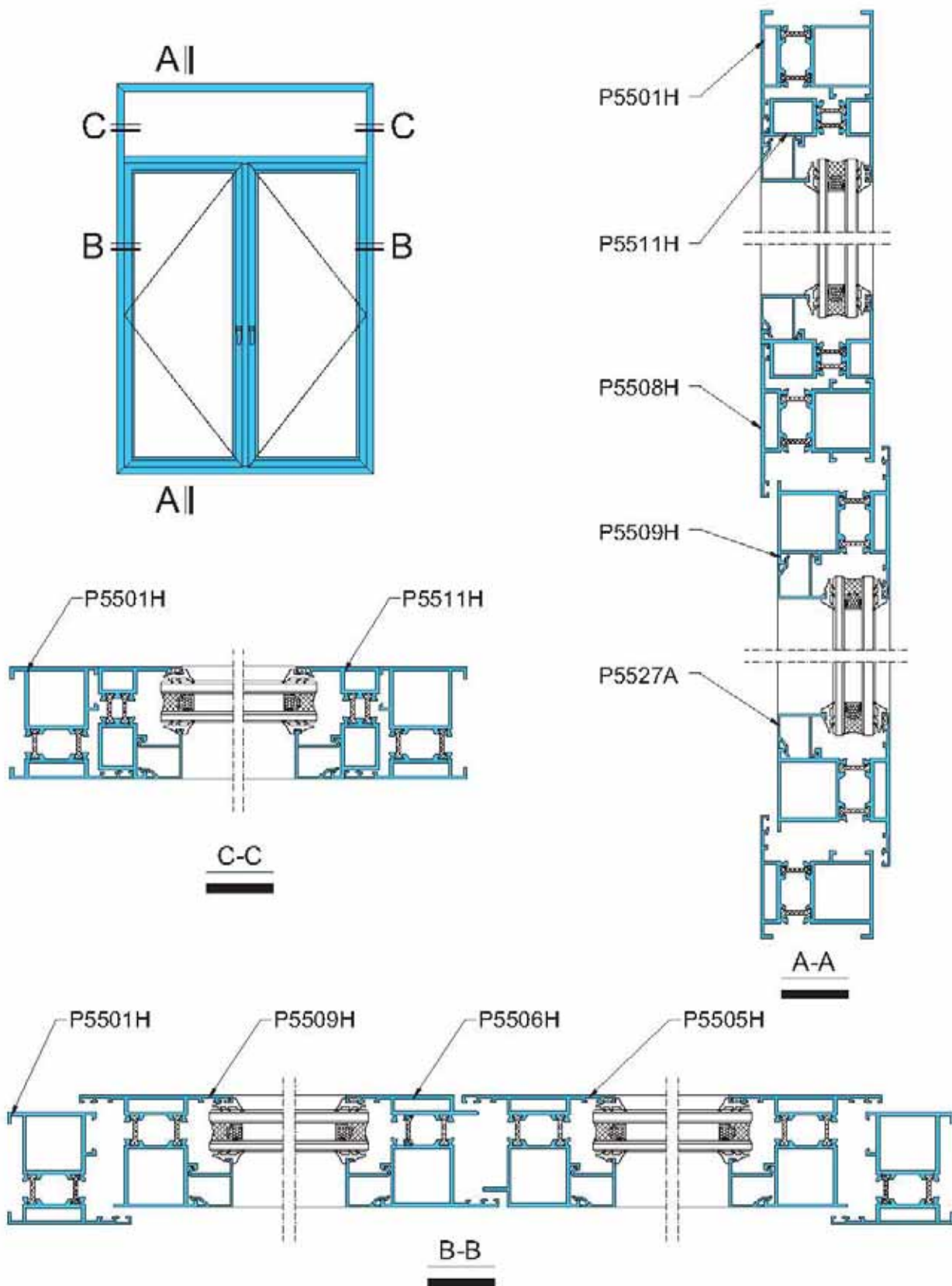
P55H series thermal barrier energy-saving environmental hung door (wall thickness 1.8mm)



专利产品，防冒必究

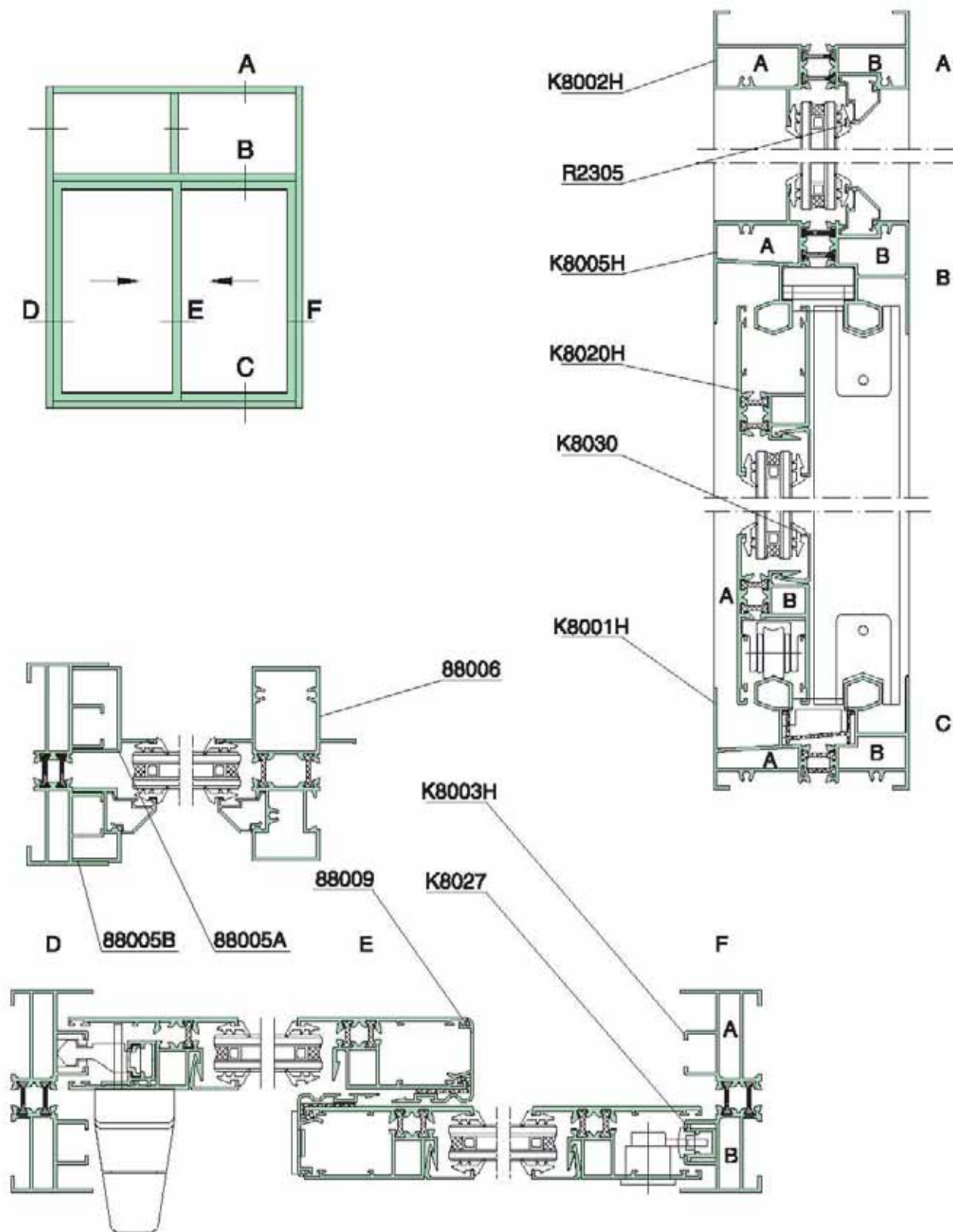
P55H系列隔热节能环保型平开门装配图(壁厚1.8mm)

P55H series thermal barrier energy-saving environmental hung door (wall thickness 1.8mm)



80TTH系列隔热节能环保型推拉门装配图

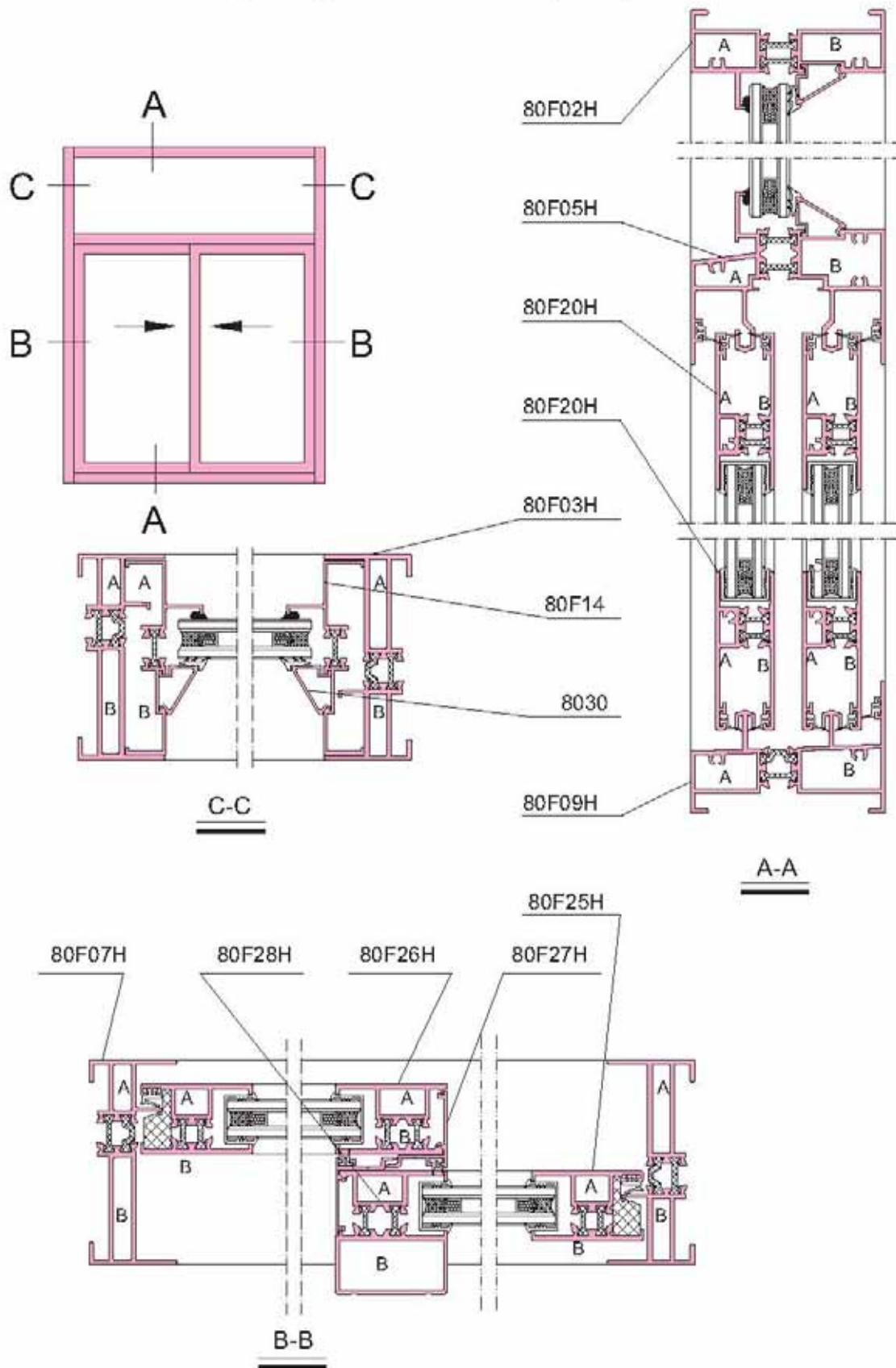
80TTH series thermal barrier energy-saving environmental sliding door



专利产品，防冒必究

80F88H系列隔热节能环保型推拉门装配图 (5 + 6A + 5 壁厚1.8mm)

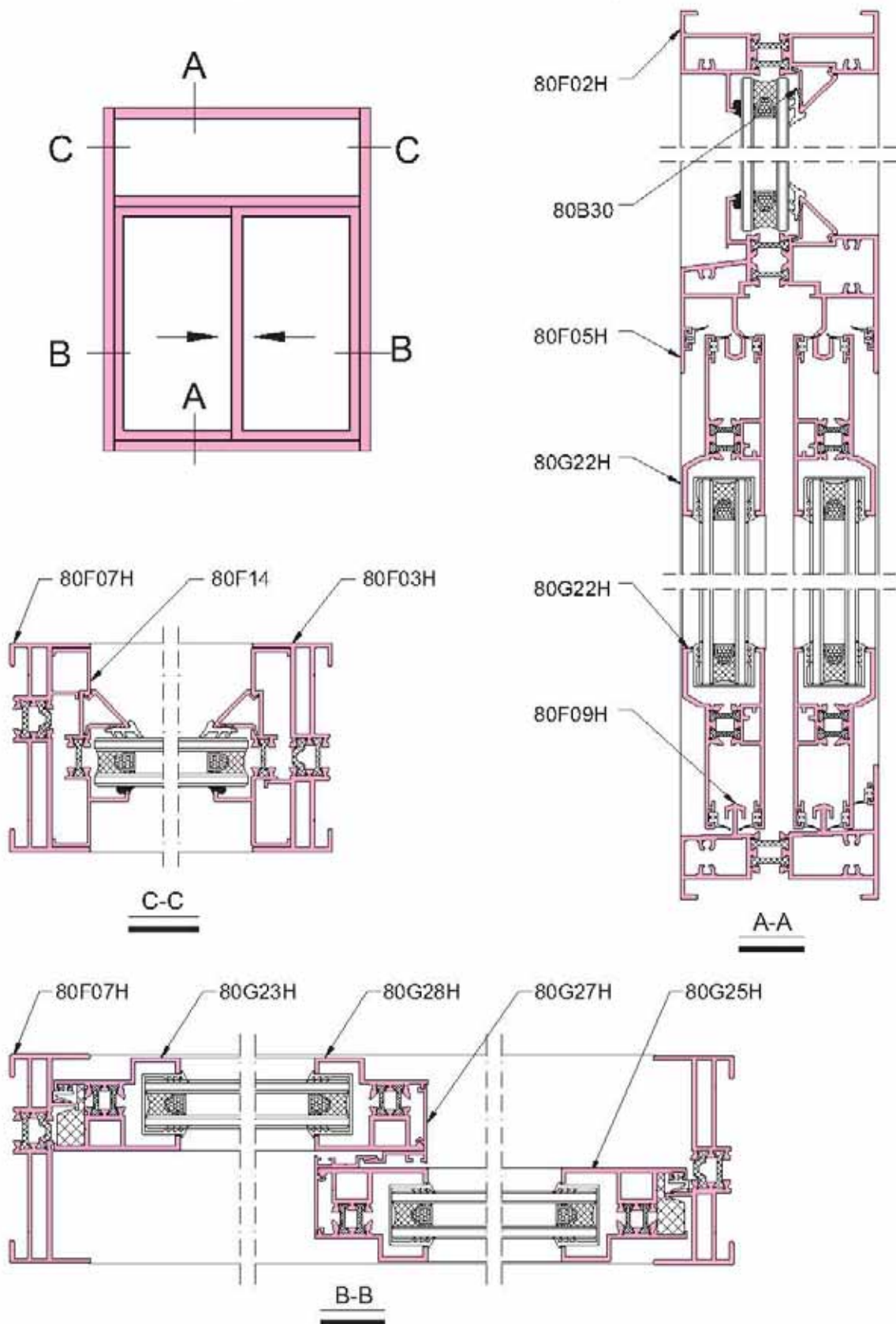
80F88H series thermal barrier energy-saving environmental sliding door (Glass:5+6A+5, wall thickness 1.8mm)



专利产品，防冒必究

80G88H系列隔热节能环保型推拉门装配图 (5+9A+5 壁厚1.8mm)

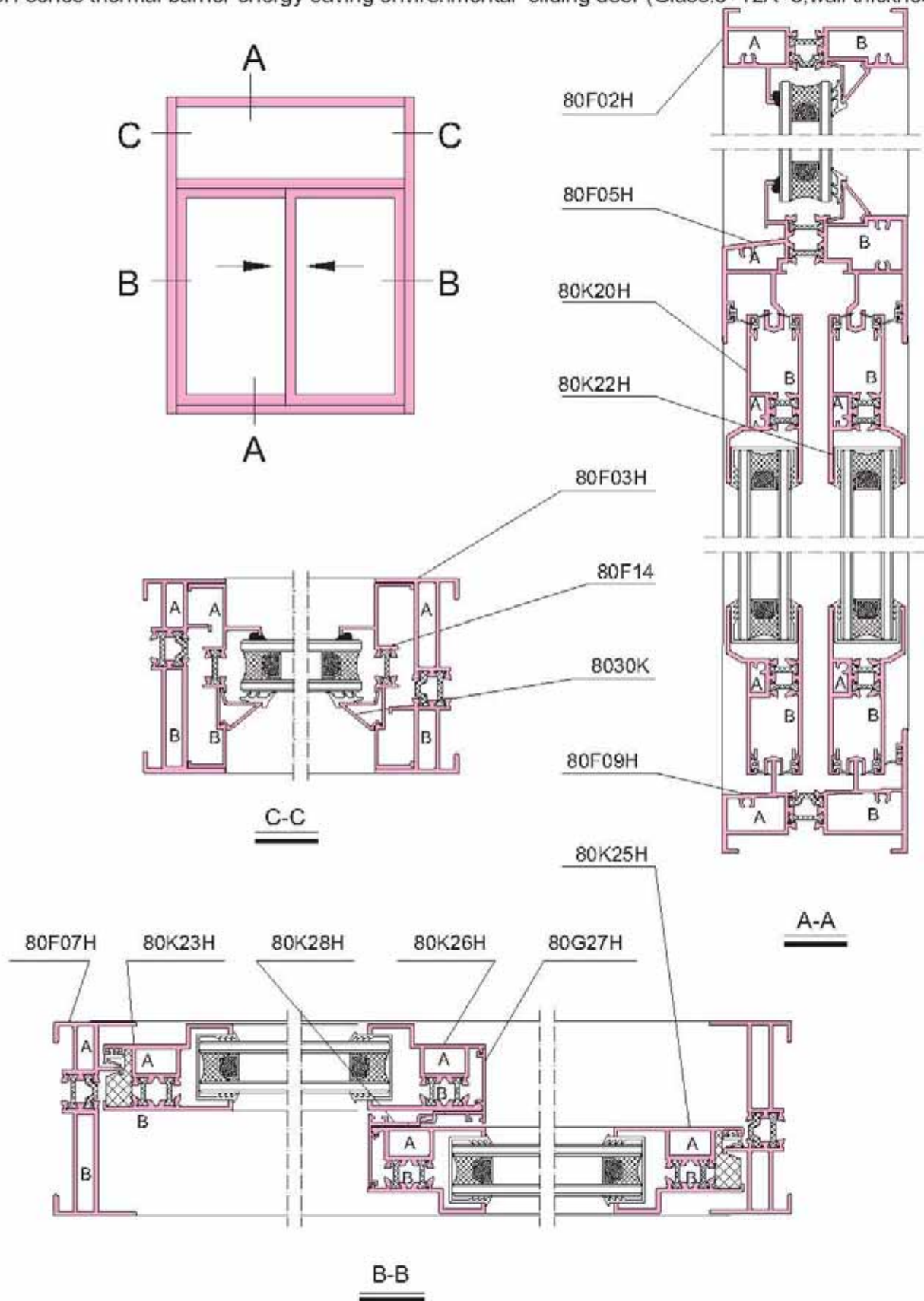
80G88H series thermal barrier energy-saving environmental sliding door (Glass:5+9A+5, wall thickness 1.8mm)



专利产品，防冒必究

80K88H系列隔热节能环保型推拉门装配图 (5 + 12A + 5 壁厚1.8mm)

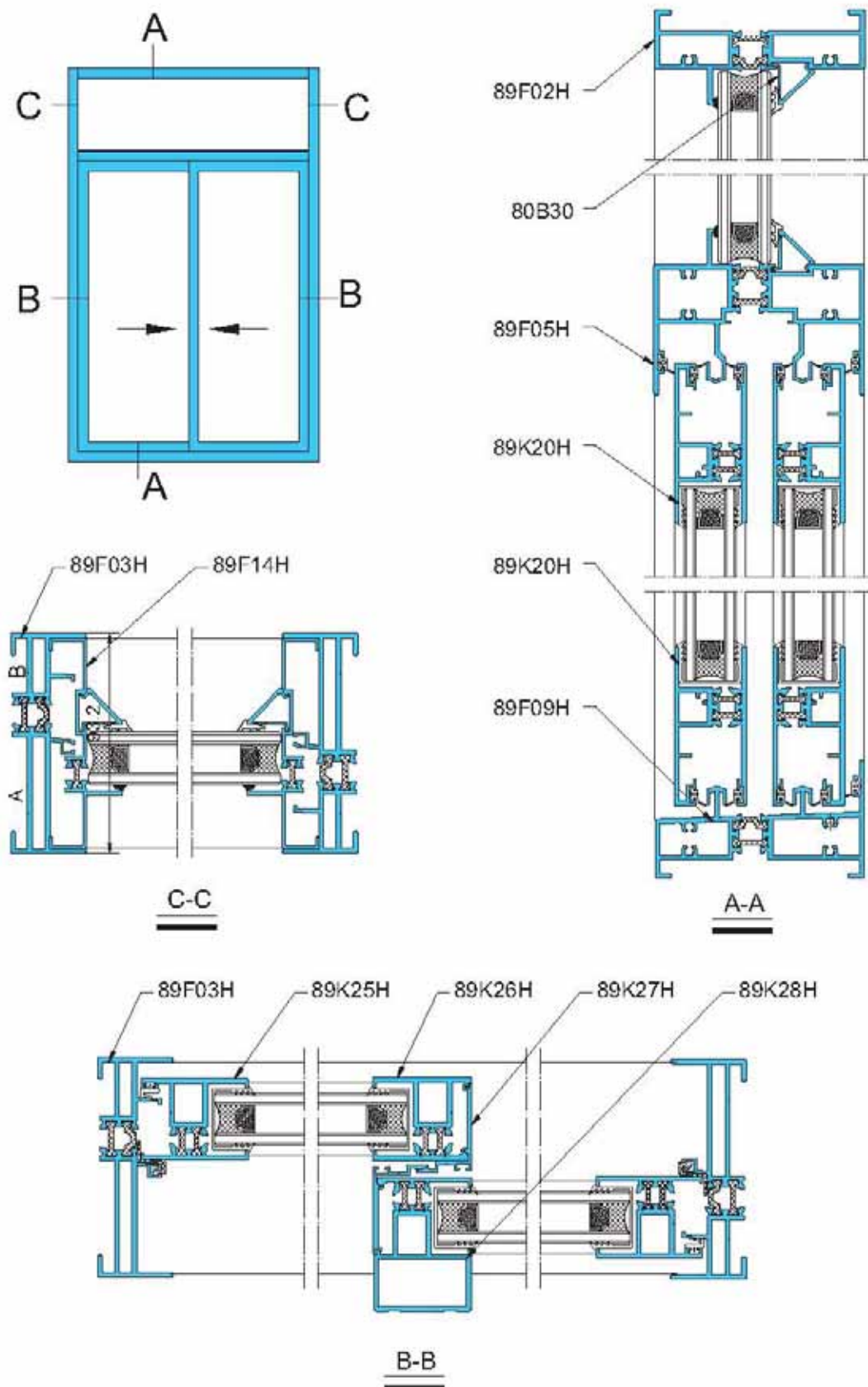
80K88H series thermal barrier energy-saving environmental sliding door (Glass:5+12A+5, wall thickness 1.8mm)



专利产品，防冒必究

89FH系列隔热节能环保型推拉门装配图（壁厚2.0mm）

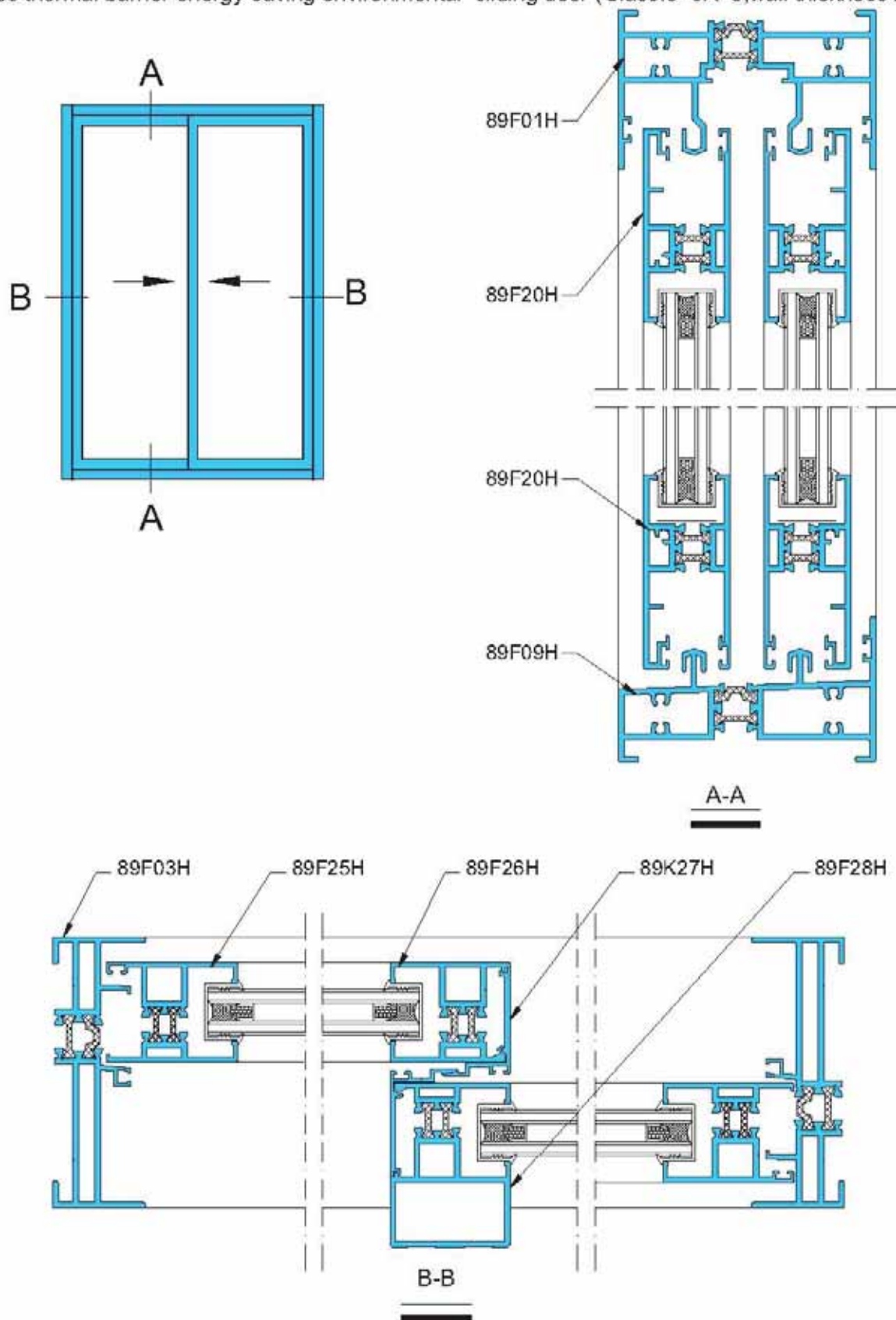
89FH series thermal barrier energy-saving environmental sliding door (wall thickness 2.0mm)



专利产品，防冒必究

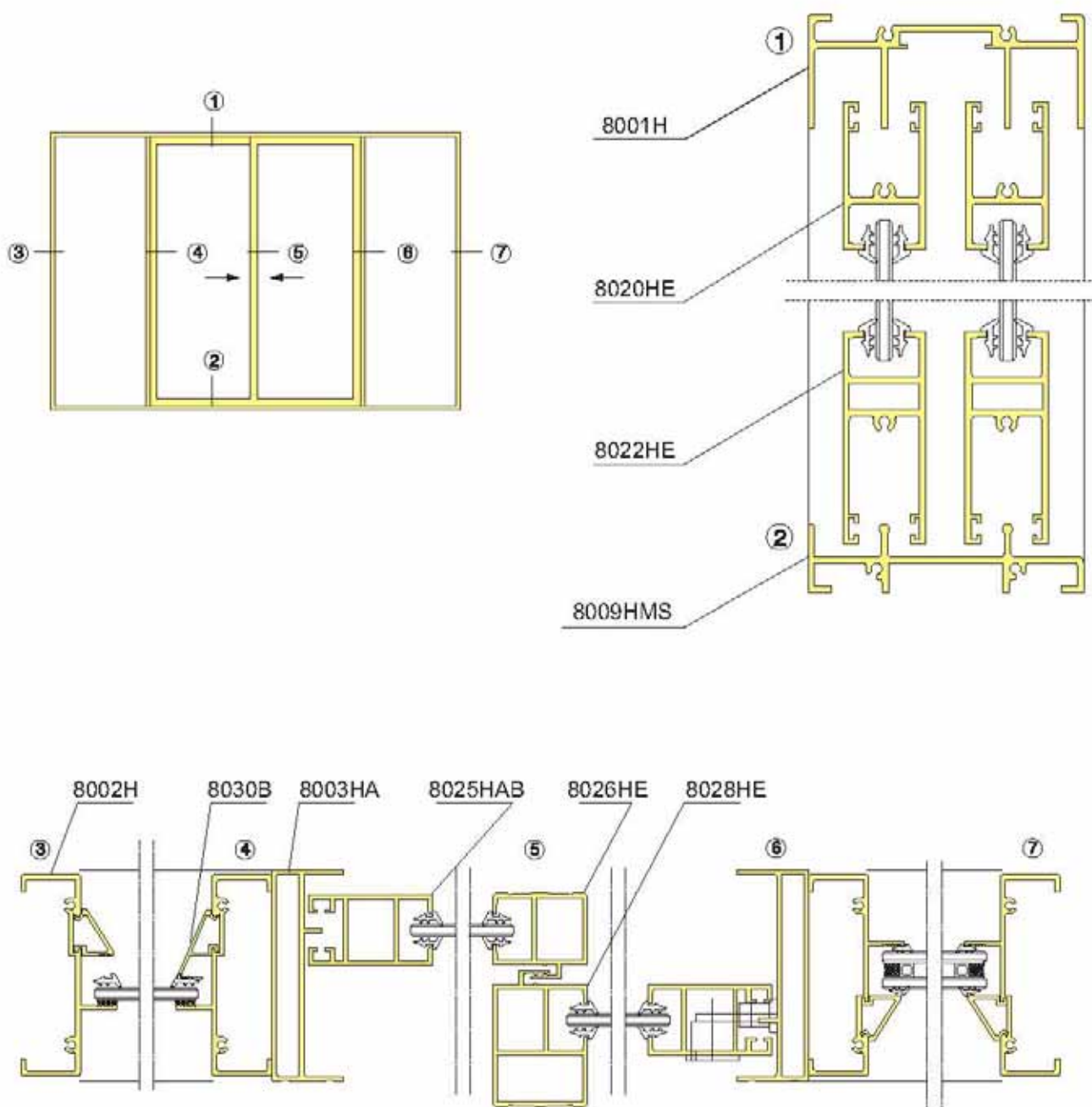
89FH系列隔热节能环保型推拉门装配图（5+6A+5 壁厚2.0mm）

89FH series thermal barrier energy-saving environmental sliding door (Glass:5+6A+5, wall thickness 2.0mm)



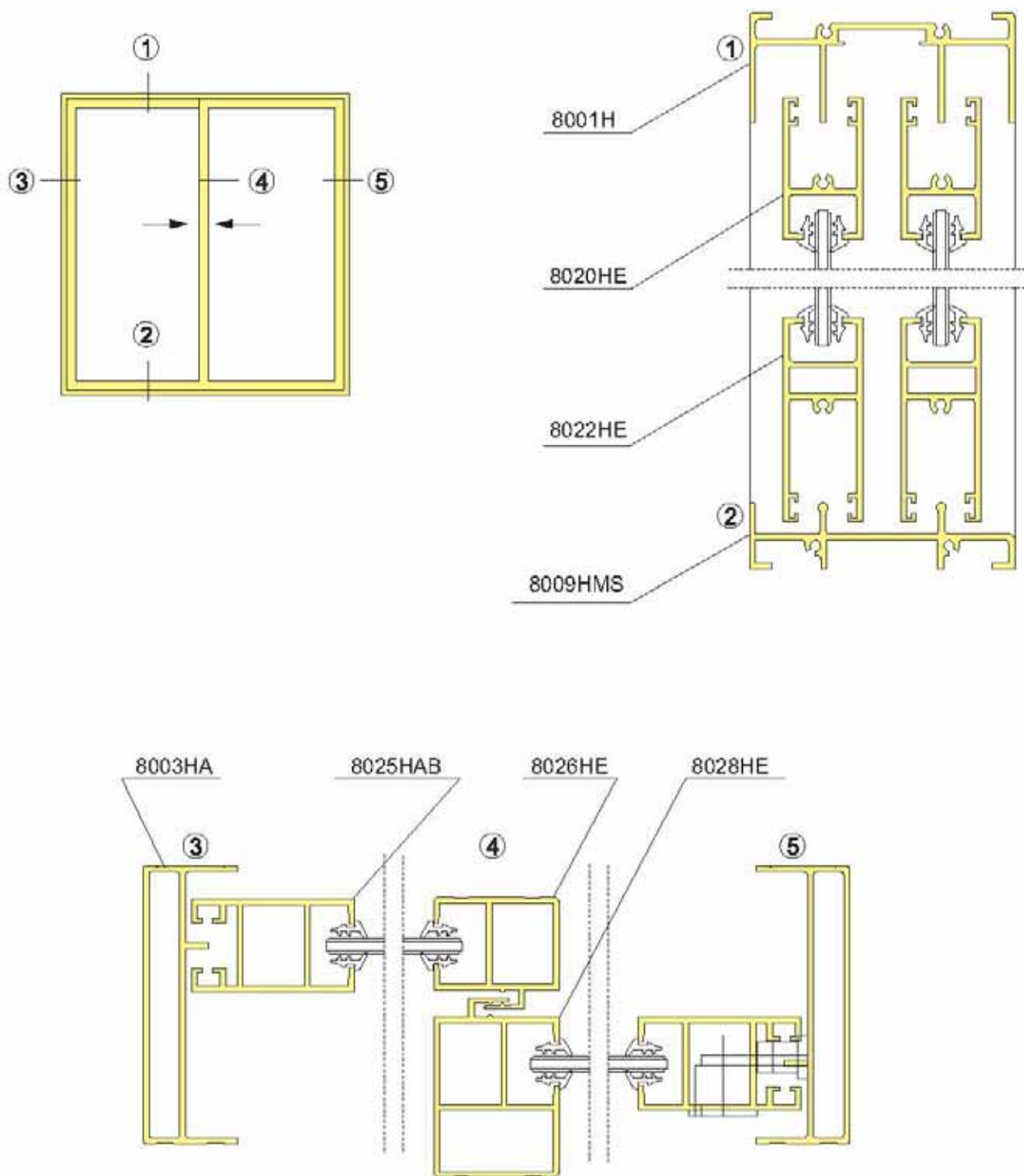
XJ8088H系列推拉门装配图

XJ8088H series sliding door



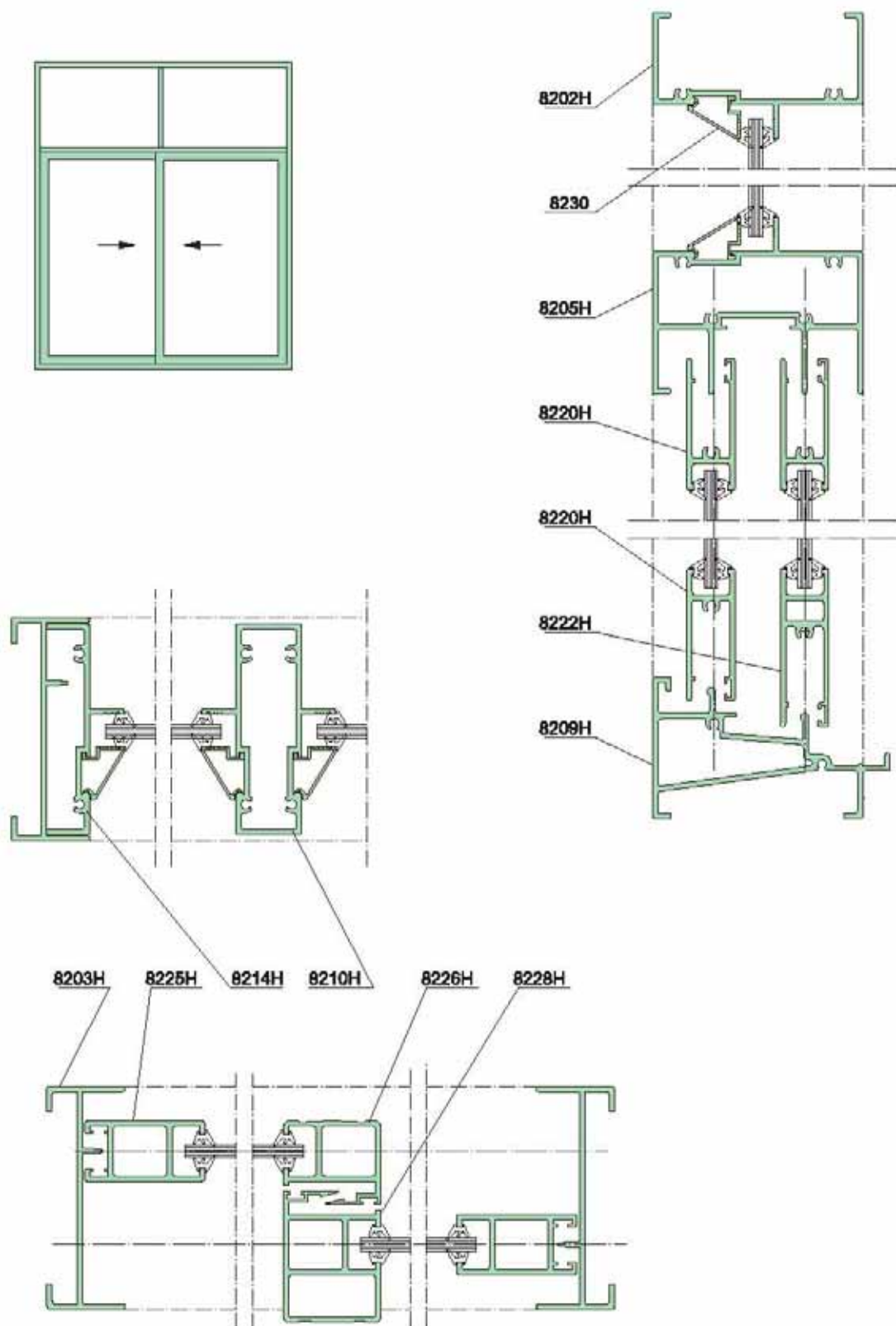
XJ8088H系列推拉门装配图

XJ8088H series sliding door



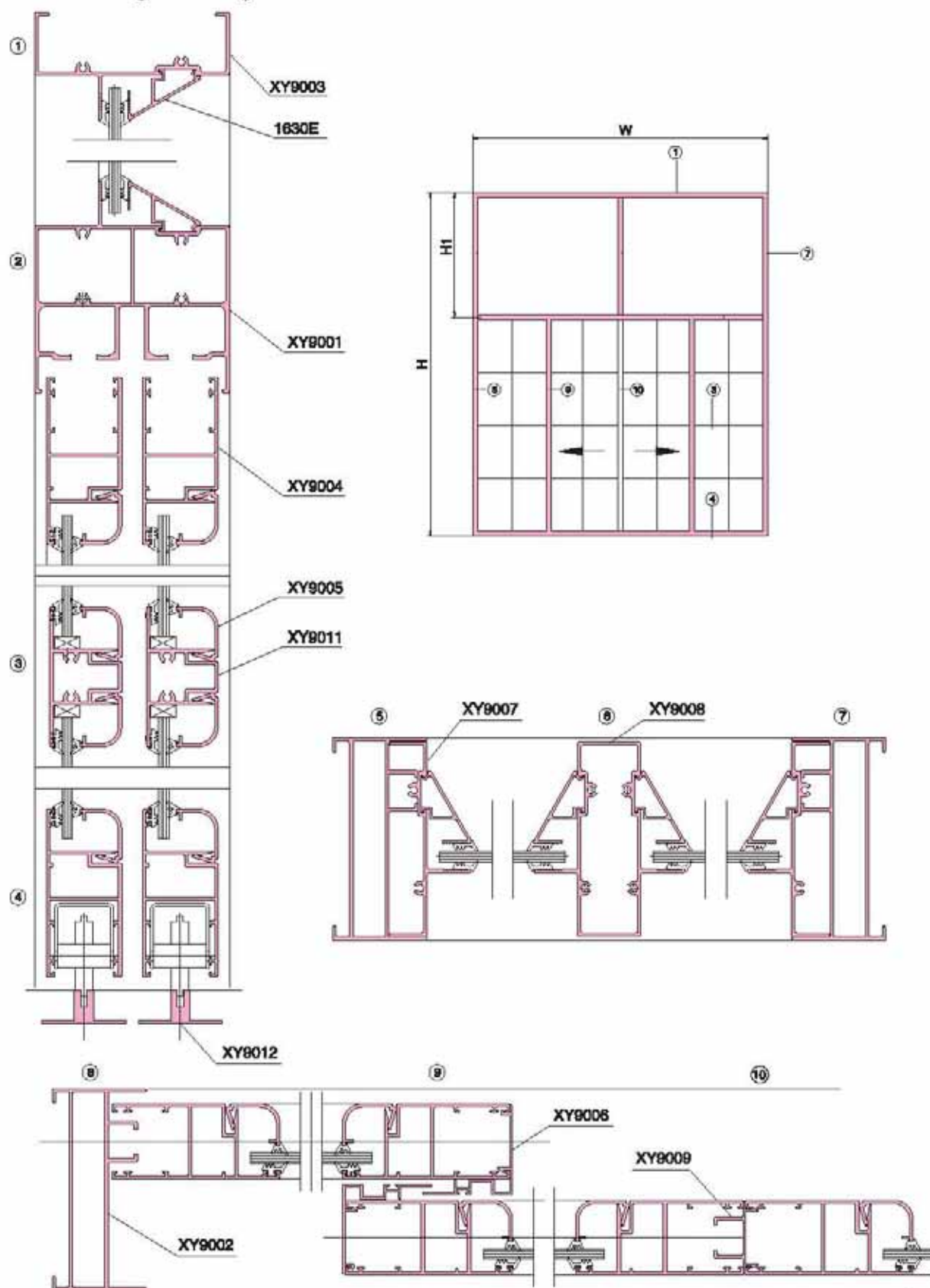
828H系列推拉门装配图

828H series sliding door



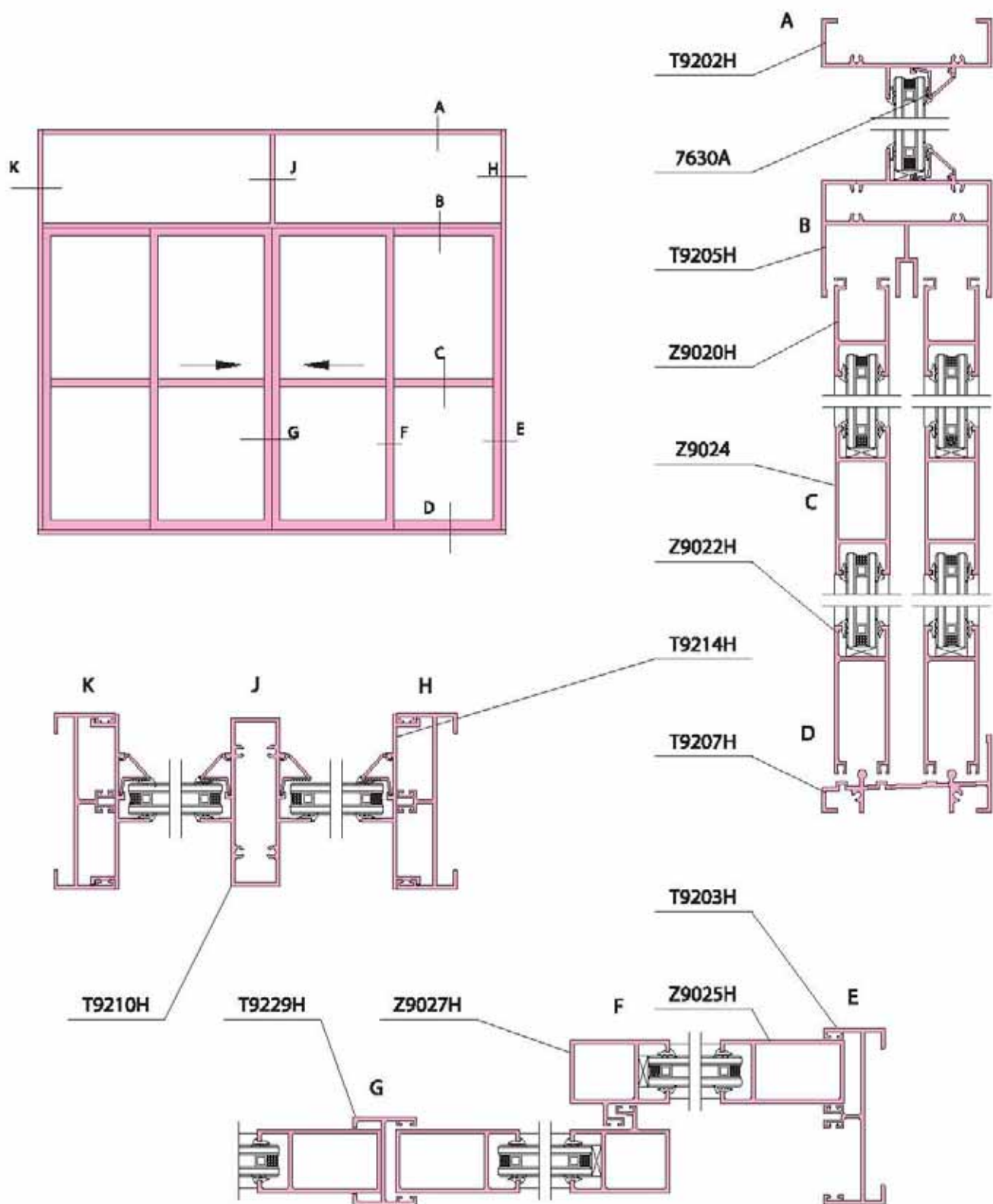
XY90系列吊轨推拉门

XY90 series hung rail sliding door



新90H系列推拉门装配图

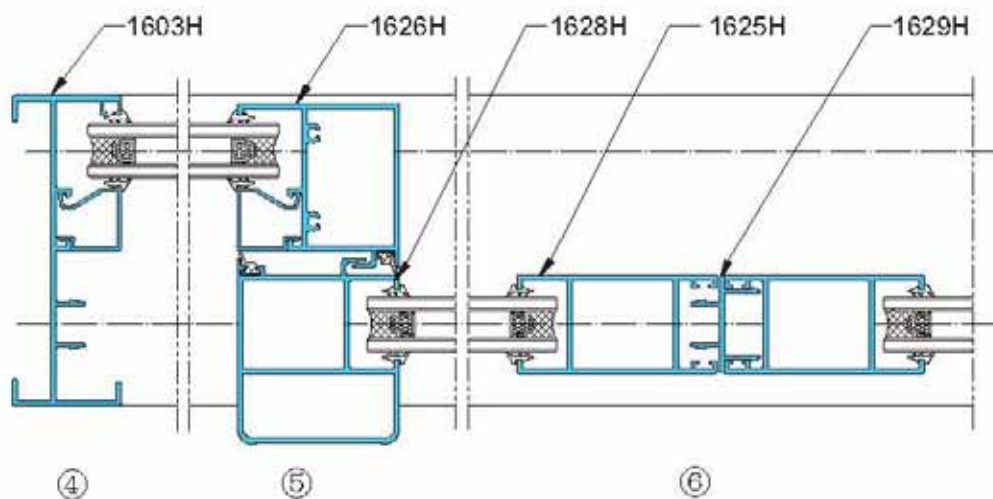
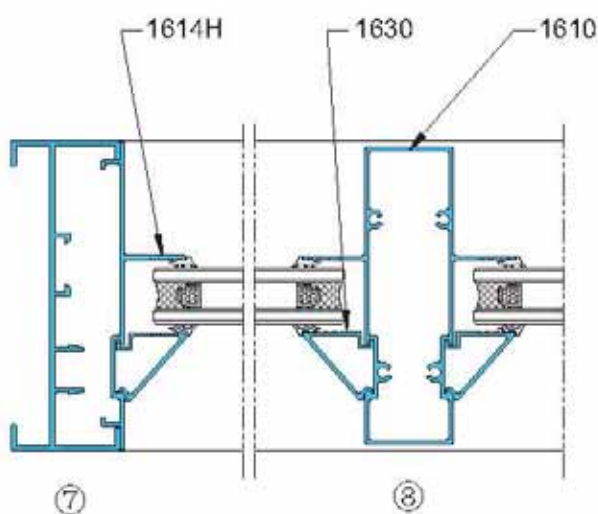
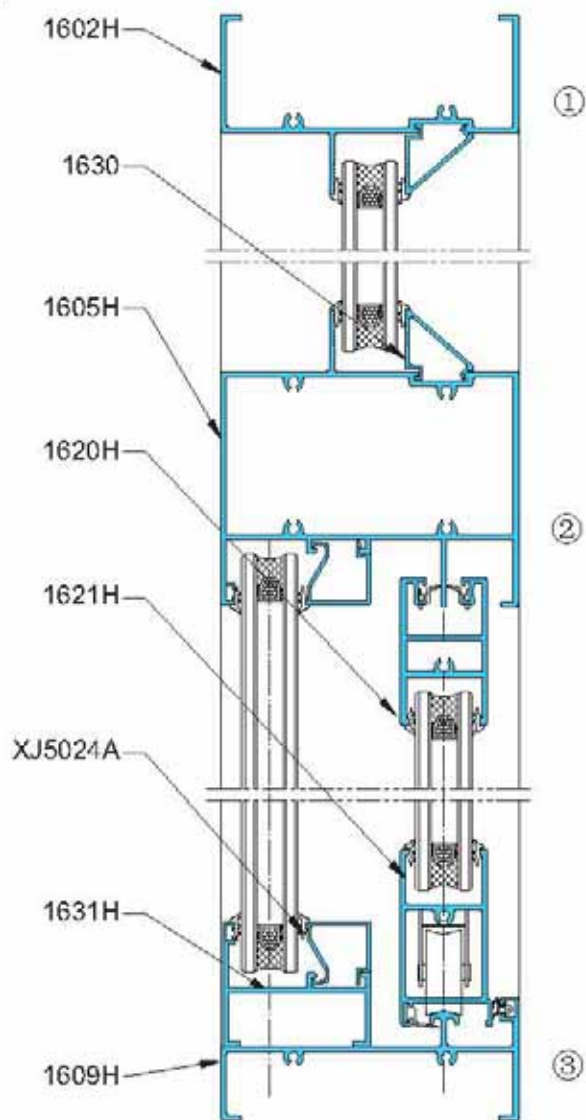
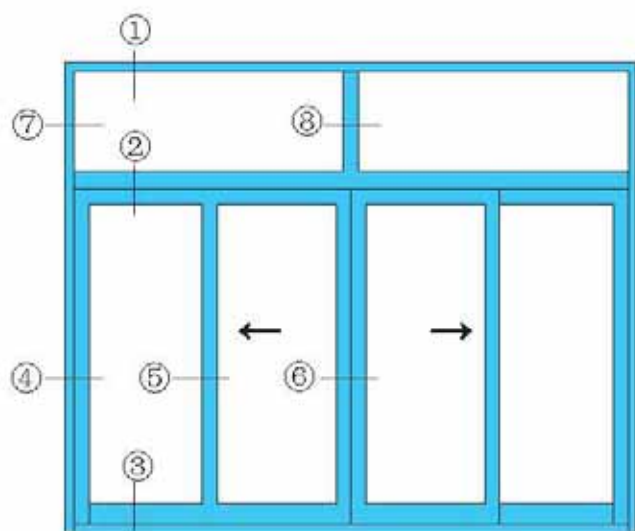
New 90H series sliding door



专利产品，防冒必究

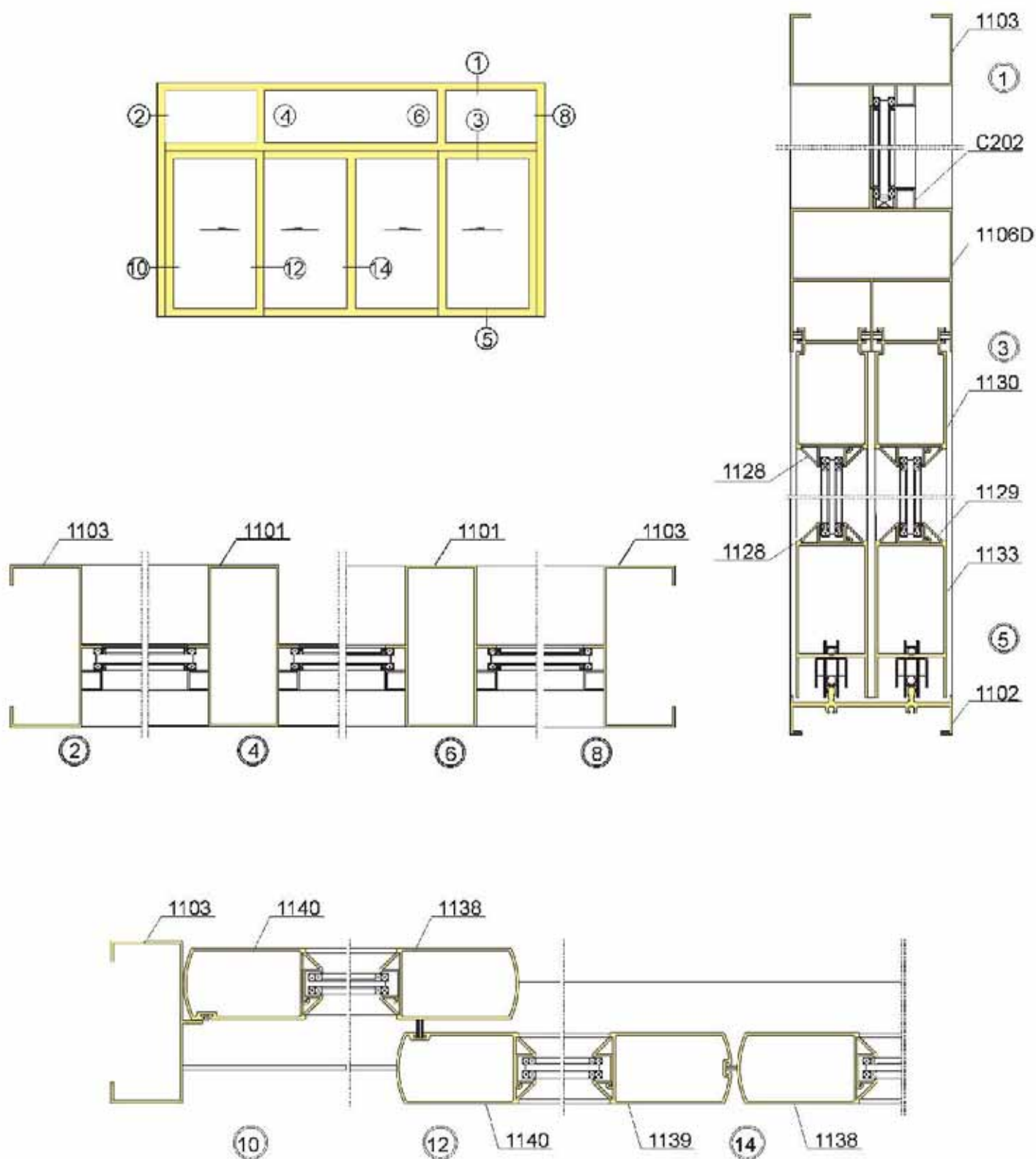
1008H系列推拉门装配图 (5+9A+5 壁厚1.8mm)

1008H series sliding door (Glass:5+9A+5, wall thickness 1.8mm)



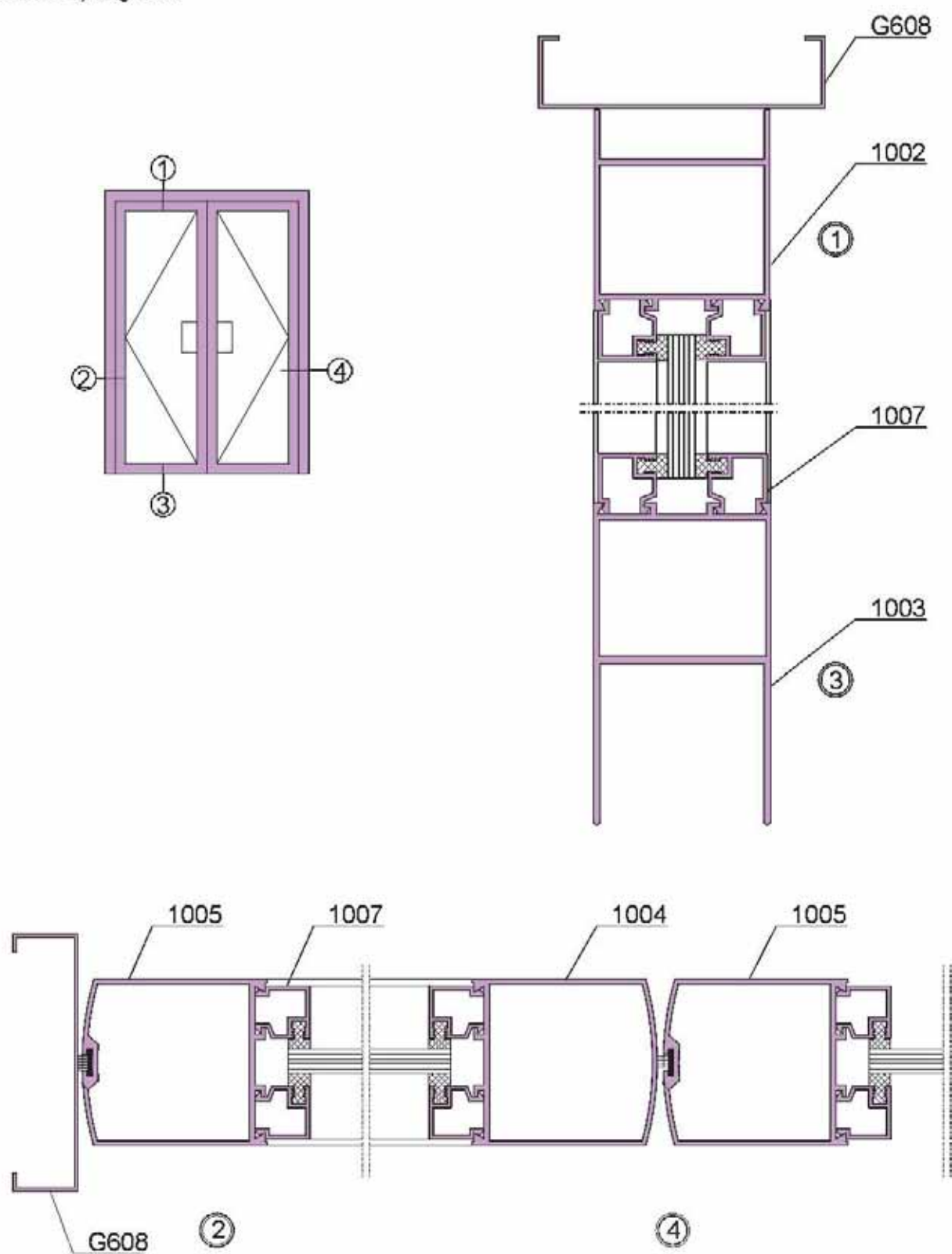
XJ100 移动门型材装配图

XJ100 sliding door



XJ100 地弹簧门型材装配图

XJ100 floor spring door

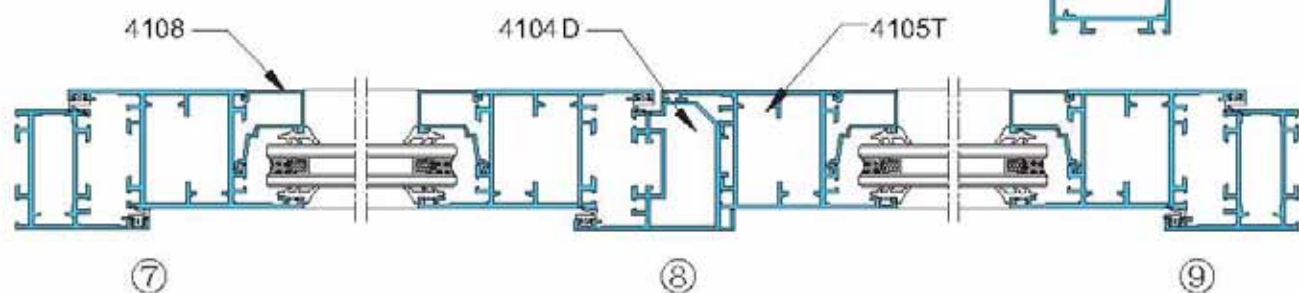
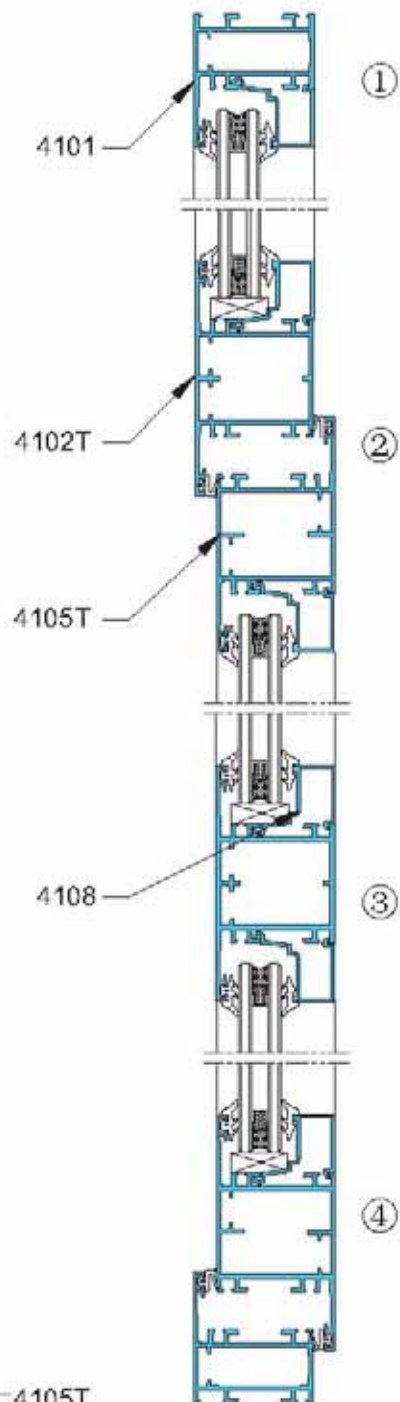
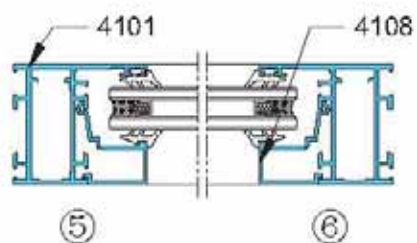
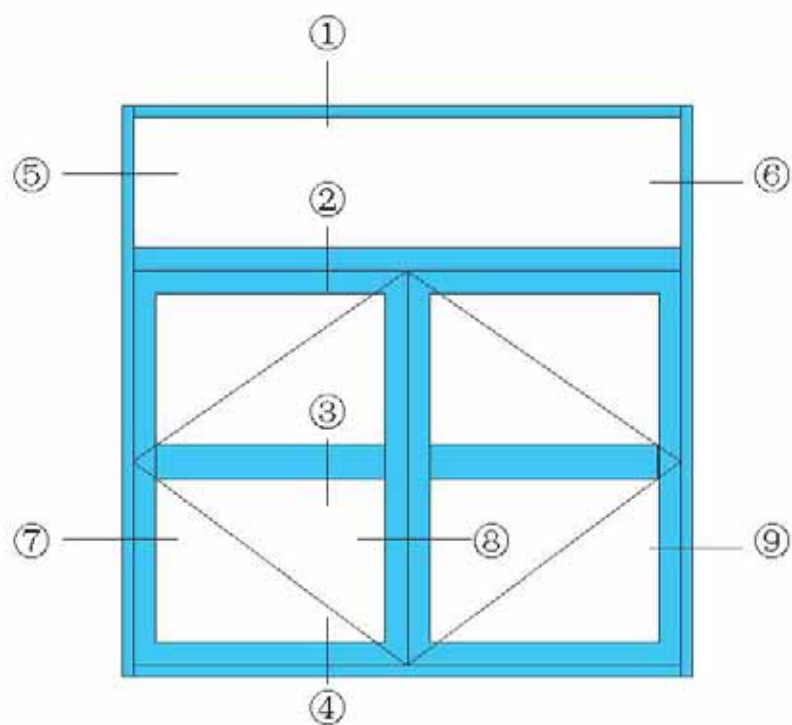


45系列内外开门装配图

(外框壁厚1.5mm,扇料壁厚1.7mm,中挺壁厚为1.7mm)

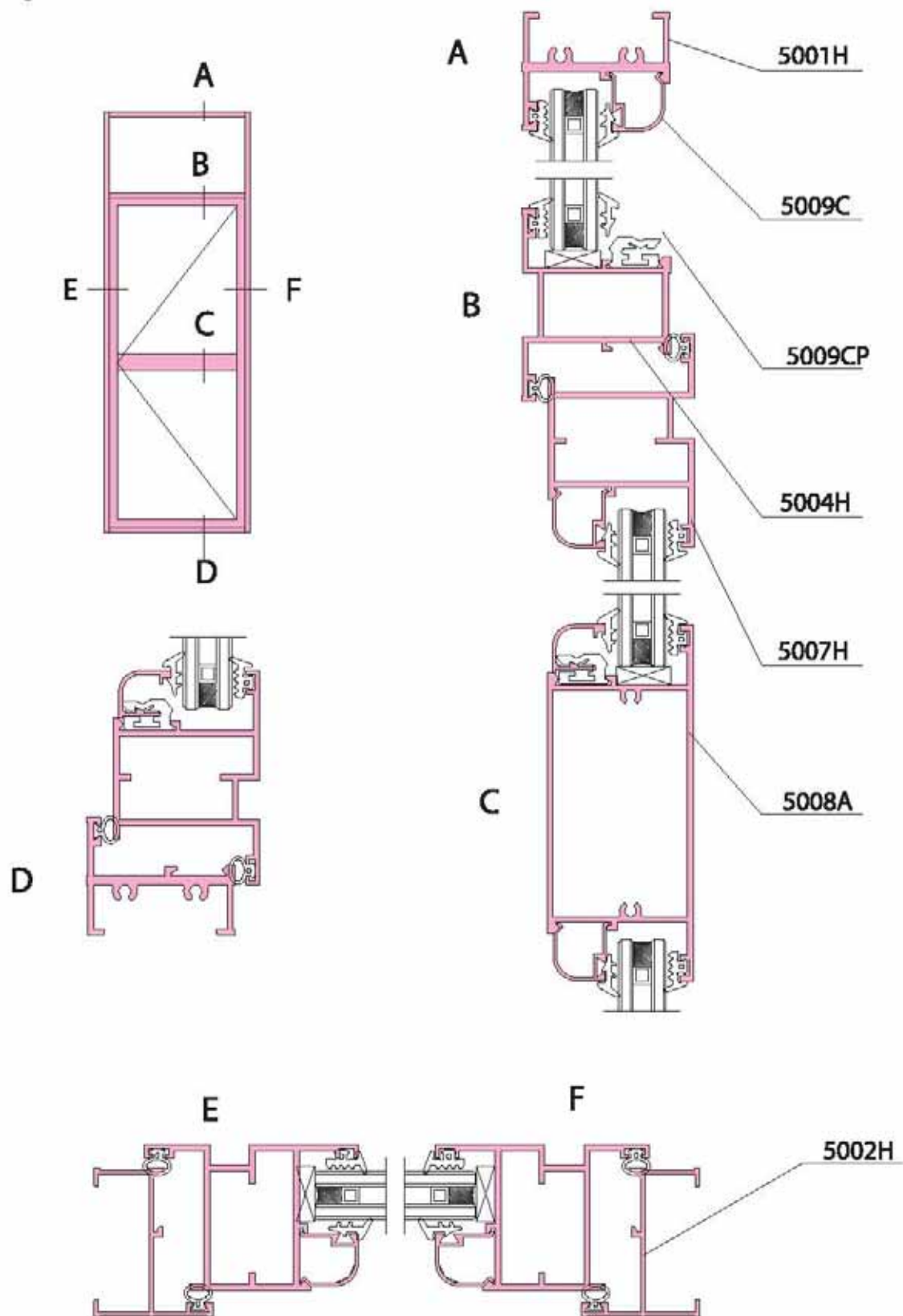
45 series hung door

(outframe wall thickness 1.5mm,inner frame wall thickness 1.7mm)



50H系列平开门

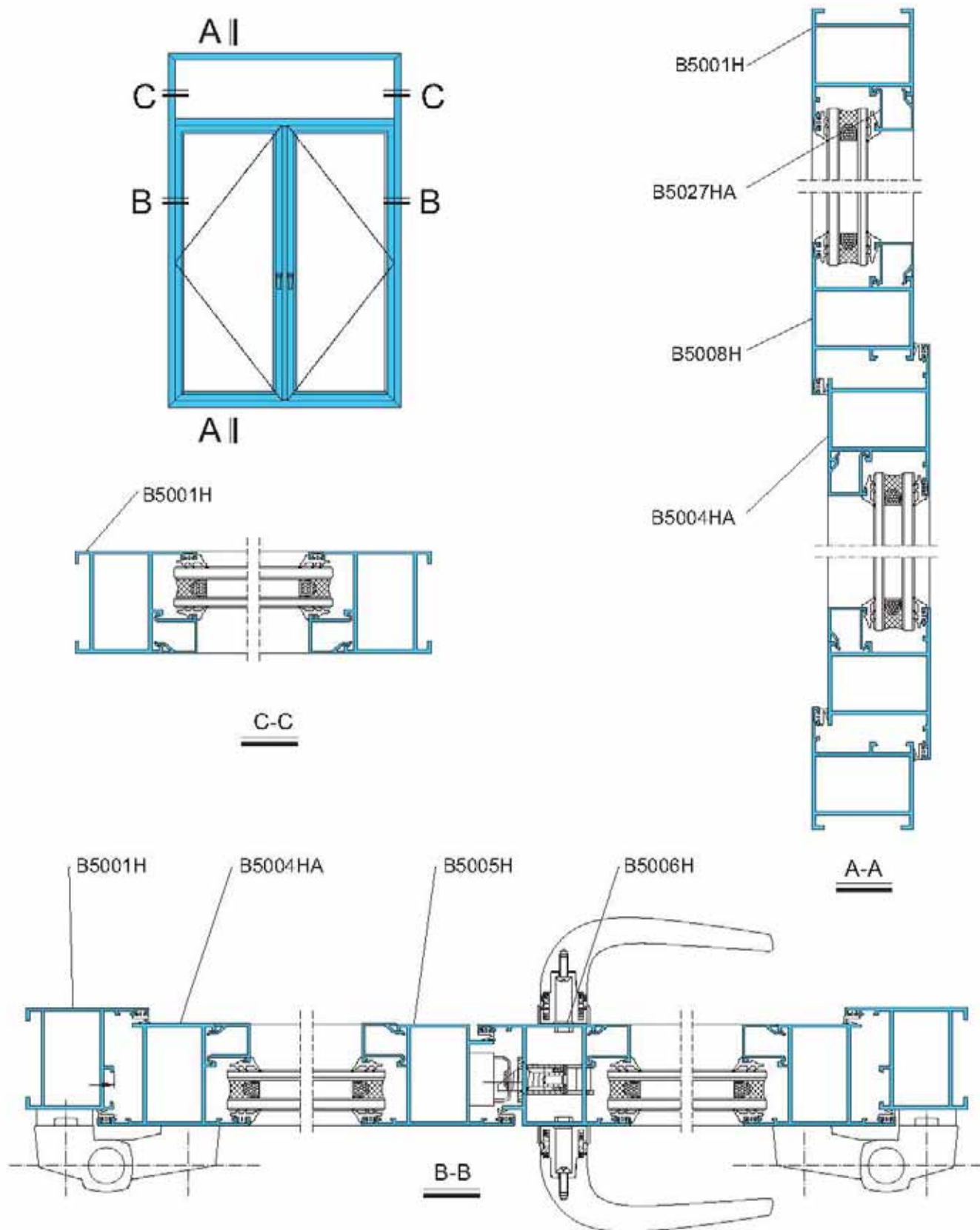
50H series hung door



专利产品，防冒必究

B50H系列平开门装配图（壁厚2.0mm）

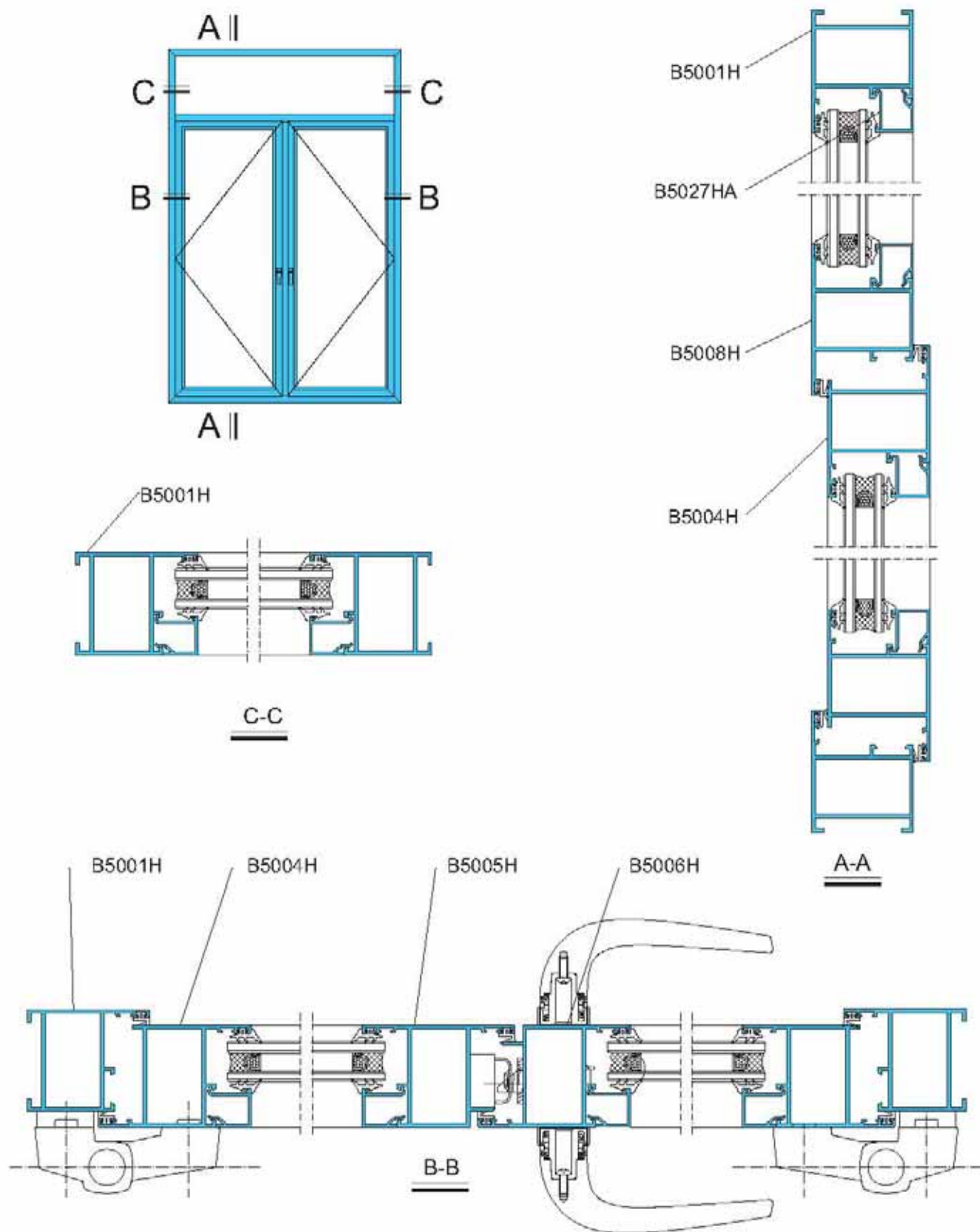
B50H series hung door (wall thickness 2.0mm)



專利產品，防冒必究

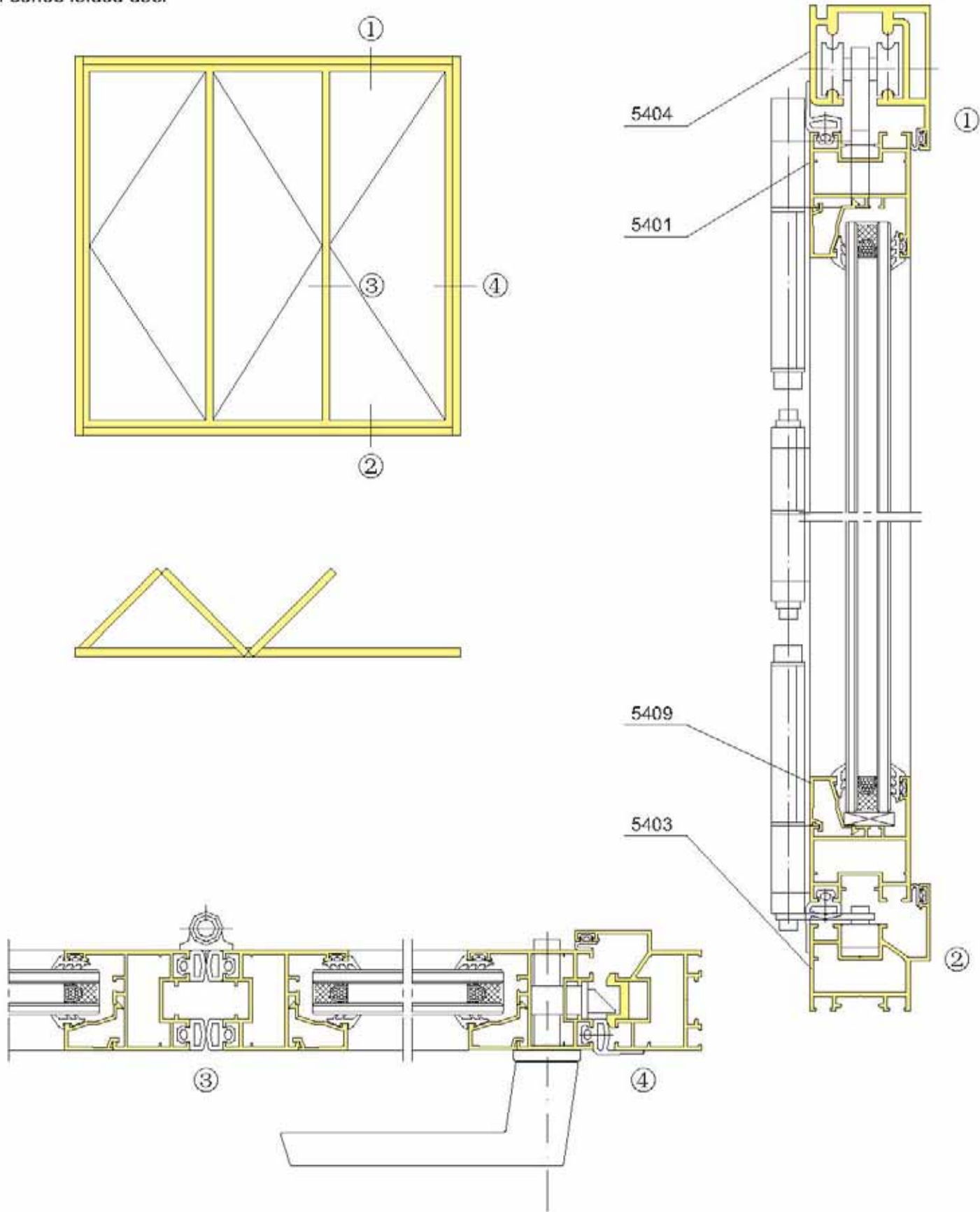
B50H系列平开门装配图（壁厚2.0mm）

B50H series hung door (wall thickness 2.0mm)



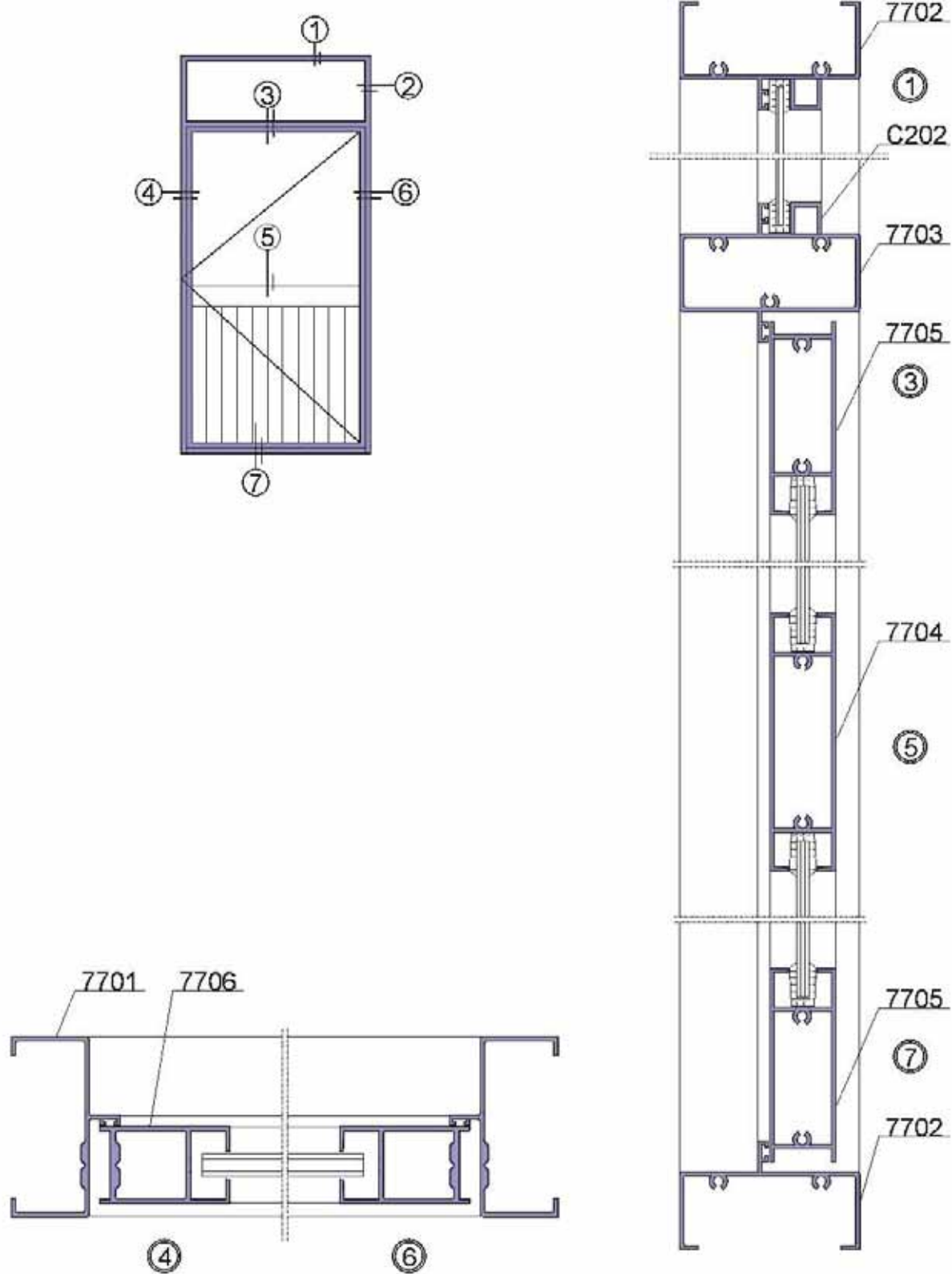
54系列折叠门窗装配图

54 series folded door



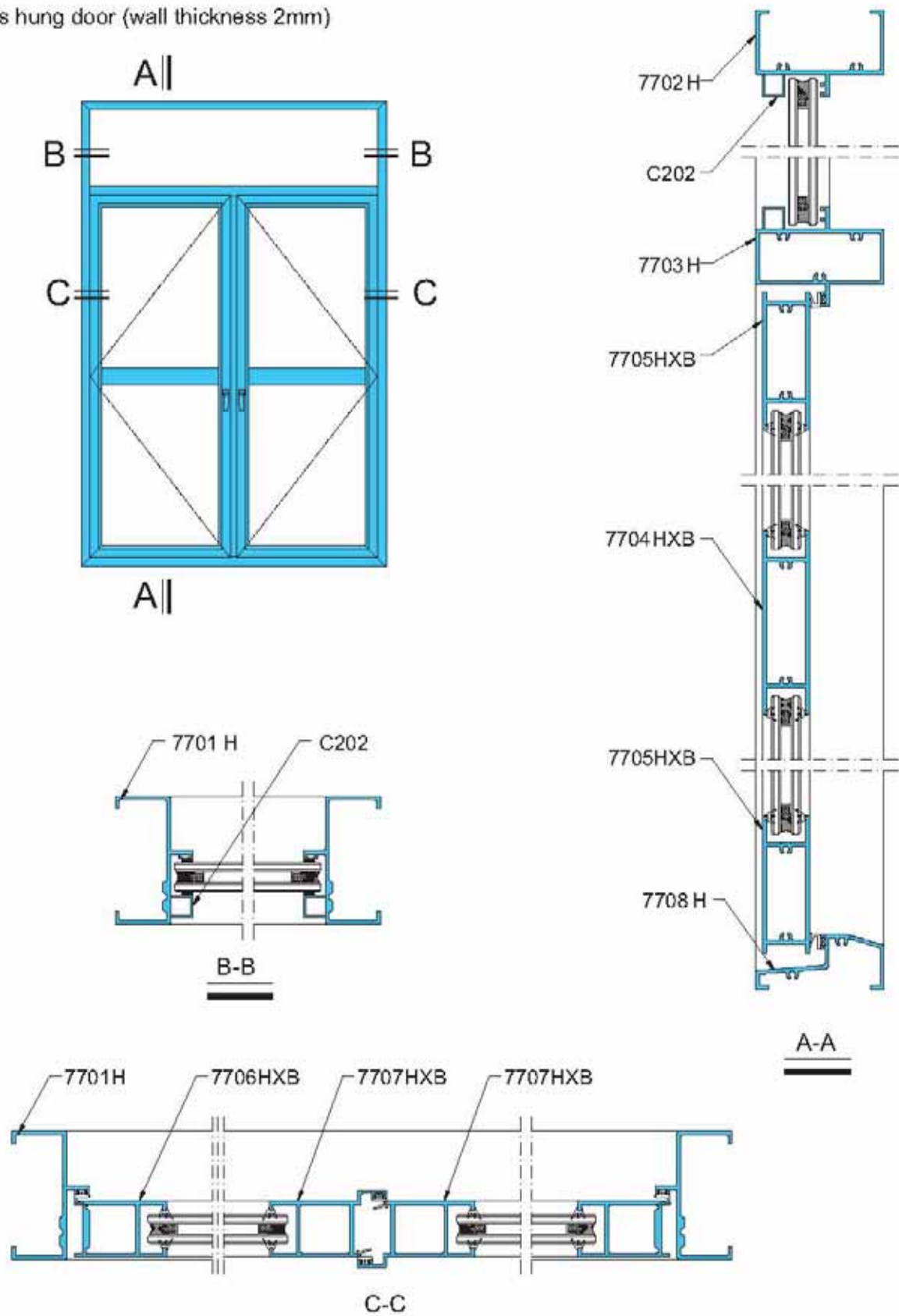
XJ770 平开门(中空、单玻)型材装配图

XJ770 series hung door (with insulating glass or single glass)



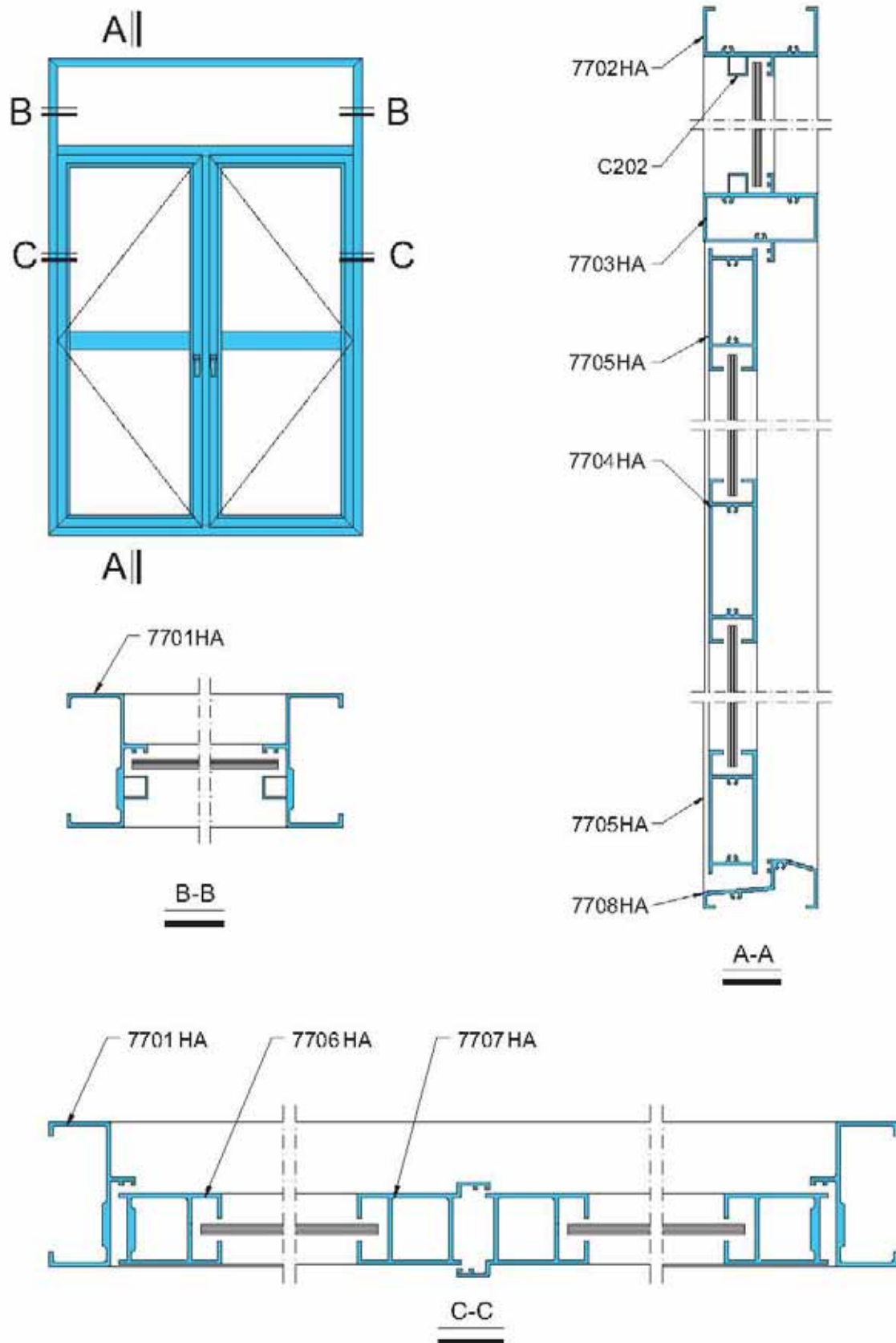
770H系列平开门装配图 (壁厚2mm)

770H series hung door (wall thickness 2mm)



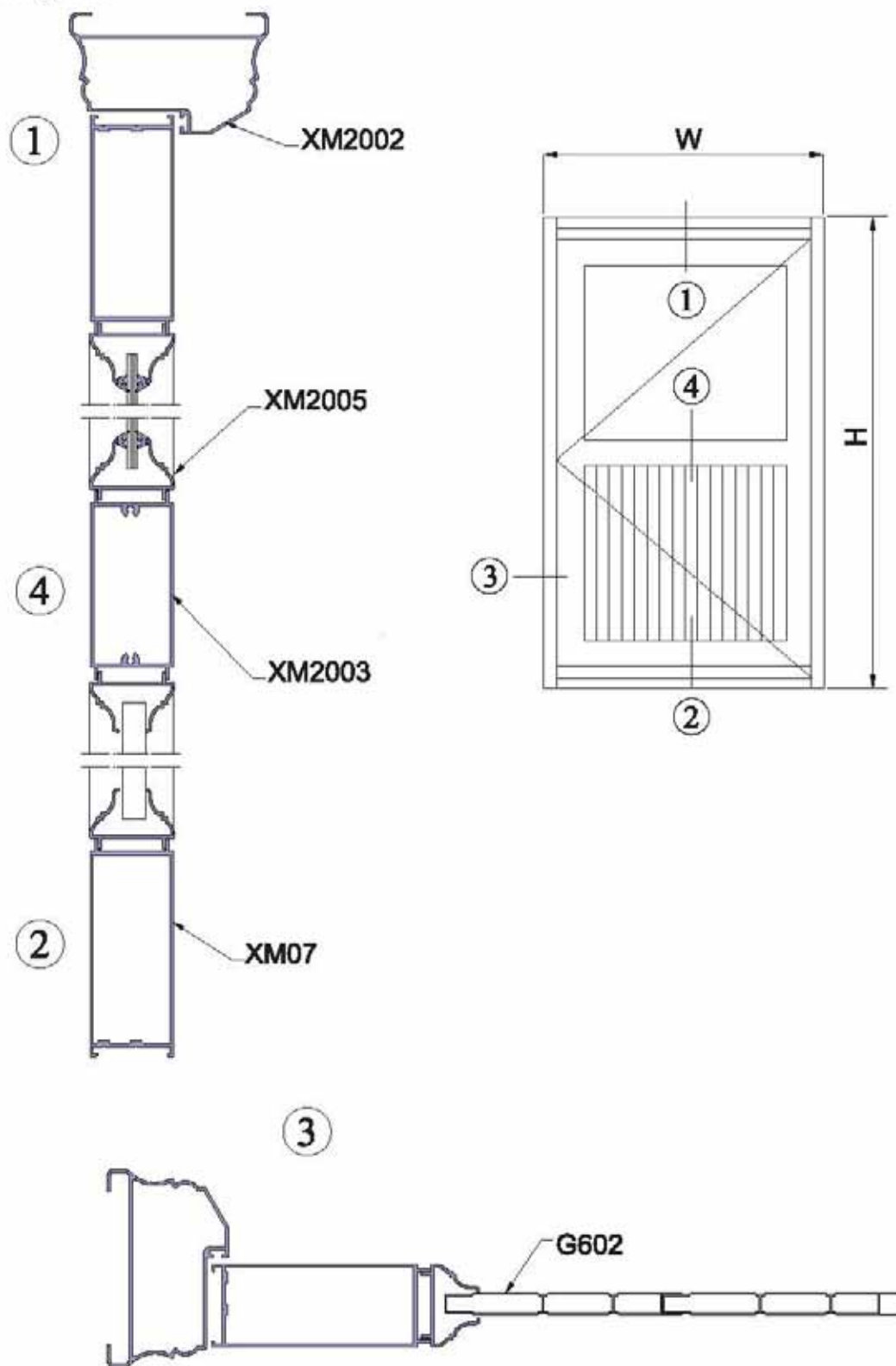
770HA系列平开门装配图 (壁厚2mm)

770HA series hung door (wall thickness 2mm)



XM90系列平开门

XM90 series hung door



XJ55 防爆防盗大门型材装配图
XJ55 series anti-riot & anti-thief door

